



Stretch Wrapper
CTT 205



Stretch Wrapper CTT 205

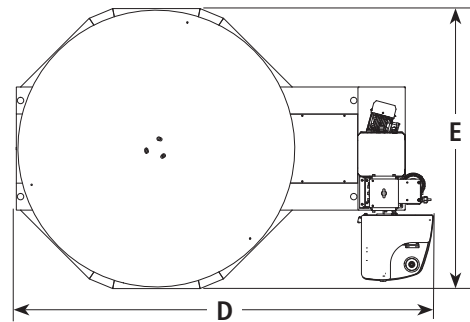
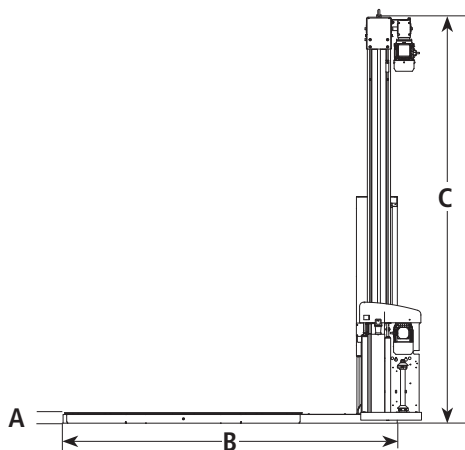
Wraps 20-50 loads per day. Wraps irregular shaped loads. Uses forklift/palletjack to load stretch wrapper. Operator starts wrap cycle at machine. Operator manually cuts/attaches film.

These properties guarantee not only good load securement but also minimum material costs, i.e. low film consumption.



Standard machine specification and dimensions

Machine	Table diam	Ø1650 mm
	Speed	Up to 12 rpm adjustable
	Start / stop	Frequency controlled
	Bottom/ top wraps	1-7 (Prog 3, 2-14)
	Film carriage speed	Variable speed
	Pre-stretch system	ECOSTRETCH®
	Pre-stretch ratio	1, 25, 45, 65, 90, 135, 170 or 210 % adjustable
	Stretch wrapping programs	5 standard, 1 option
	Controller	PLC
Power	Supply	Single phase 240V 50 Hz
	Protection	IP54
	Loading	10 A
Pallet Goods	Max size (length x width)	1200 x 1000 mm
	Max. goods height incl. pallet:	2200 mm
	Permitted load weight	2000 Kg
Stretch Film	Core diameter	76 mm
	Outer diameter, max	250 mm
	Film width, max	500 mm
	Film thickness	9-35 my



Dim (mm)	A	B	C	D	E
Standard	73	2305	2800	2475	1660

Weight, standard: 380 kg (Weight can vary depending on options). Crated dimensions: L2900 x H750 x W1700 mm, weight: 550 kg.

WWW.CYKLOPTEKNIK.SE