

# MS71B-4 0,37KW 230/400V B14

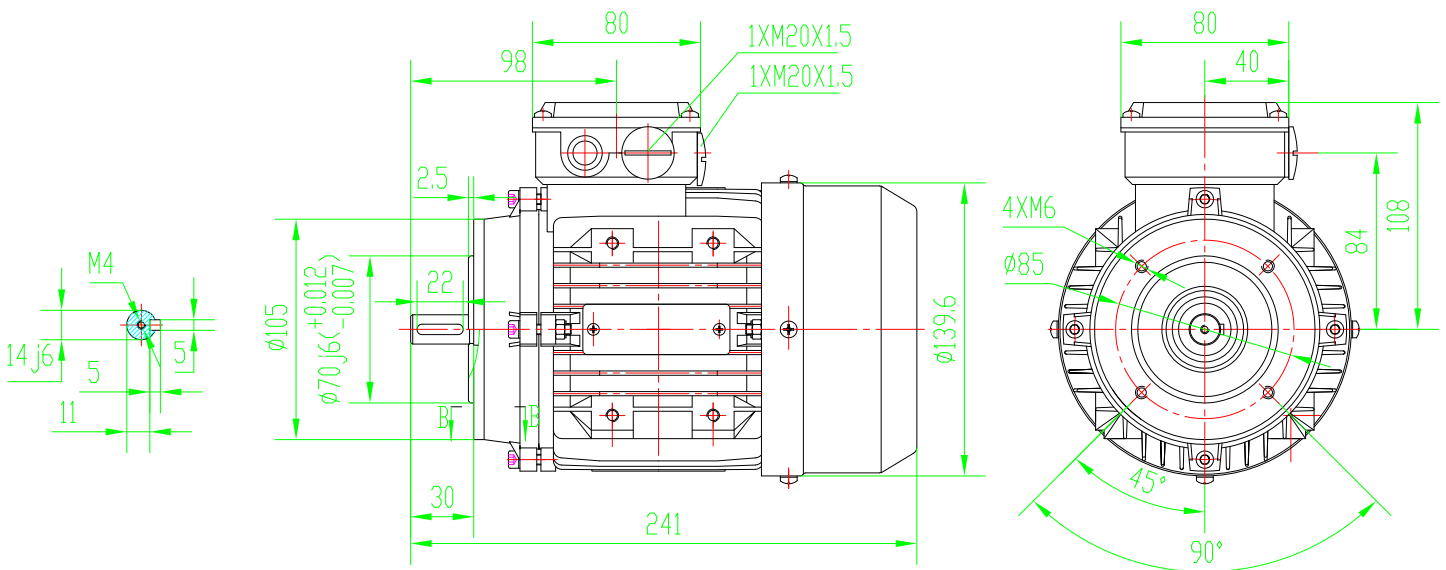
## Three-phase asynchronous motor in aluminium

Motor type MS71B-4 0,37KW 230/400V B14  
 Brand BUSCK  
 Item number 03040723

Voltage V	Power kW	Frequency Hz	Current A	Speed rpm
230	0,25	50	1,46	1350
400	0,25	50	0,84	1350
460	0,29	60	0,84	1620

Duty	S1	Efficiency, load 100%	60
Enclosure	IP55	Power fact, load 100%	0,72
Insulation class	F	Painting	Standard
Cooling	IC411 (TEFC)	Color	RAL 9005
Max. ambient temp.	40°C	Weight kg	6
Min. ambient temp.	-20°C	Sound level dB(A)	55
Max. temp. rise	80 K	Bearing DE	6202-2Z
Torque Nm	1,77	Bearing NDE	6202-2Z
Starting torque ratio	2,2	Cable entries	1xM20
Pull up torque ratio	1,7		
Pull out torque ratio	2,4		
Starting current ratio	6		
Balance grade	Normal		
Inertia kgm <sup>2</sup>	0,00051		

Note



**BUSCK**

Busck & Co AB  
 Gamla Riksvägen 14  
 428 32 Göteborg  
 Sweden  
 info@busck.se  
 www.busck.se

Busck & Co ApS  
 Postboks 108  
 0900 København C  
 Denmark  
 info@busckco.dk

Busck AS  
 Postboks 346  
 N-1401 Ski  
 Norway  
 info@busck.no